



PLUG VALVE

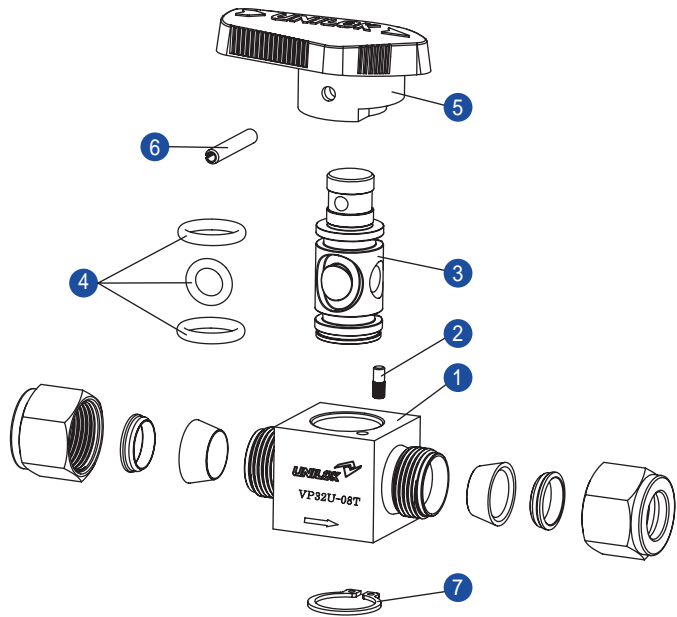
VP Series

www.unilok.com



Features

- Working Pressure Rating up to 3000 psig (206 bar) @37°C(100°F)
- Temperature Rating from -23°C to 204°C (-10°F to 400°F)
- Quarter-turn operation
- Straight-through flow path
- 316 stainless steel and brass body materials
- Reliable simple design
- Handle Low operating torques
- 100% factor tested



Technical Data

Series	Material	Orifice	Pressure Rating @ 70°F (21°C)	Temperature Rating
VP31	316 SS	4.4	3,000 psig (206 bar)	-23°C ~ 204°C (-10°F ~ 400°F)
	Brass			
VP32	316 SS	7.2	3,000 psig (206 bar)	
	Brass		2,000 psig (137 bar)	

* Differential pressure is limited to 150 psig (10.3 bar) Maximum if reverse flow occurs
Reverse-flow throttling may damage O-ring.

Material of Construction

No.	Description	Materials	
		Body Material	316 SS
1	Body	316SS/A479	Brass/B16
2	Pin	316SS/A479	
3	Plug	316SS/A479	PTFE-Coated
		Brass/B16	PTFE-Coated
4	O-Ring	PTFE Coated FKM	
5	Handle	Nylon	
6	Spring Pin	316SS	
7	Snap Ring	Stainless Steel	

Pressure Temperature Rating

Series	VP31, VP32	VP31	VP32
Material	316 SS	Brass	
	PTFE Coated FKM		
Temperature, °C (°F)	Working Pressure, psig (bar)		
-23°C ~ 204°C (-10°F ~400°F)	3,000 psig (206 bar)	3,000 psig (206 bar)	2,000 psig (137 bar)
65°C (150°F)	3,000 psig (206 bar)	2,500 psig (172 bar)	2,000 psig (137 bar)
93°C (200°F)	3,000 psig (206 bar)	2,000 psig (137 bar)	2,000 psig (137 bar)
121°C (250°F)	2,000 psig (137 bar)	1,500 psig (103 bar)	1,500 psig (103 bar)
148°C (300°F)	1,000 psig (68.9 bar)	1,000 psig (68.9 bar)	1,000 psig (68.9 bar)
204°C (400°F)	1,000 psig (68.9 bar)	400 psig (27.5 bar)	400 psig (27.5 bar)

Flow Data

Part Number	End Connection		Cv	Pressure Drop to Atmosphere, psi (bar)					
				Air Flow, std ft3/min (std L/min) @ 70°F (21°C)			Air Flow, std ft3/min (std L/min) @ 70°F (21°C)		
	Inlet	Outlet		1 (0.068)	5 (0.34)	10 (0.68)	1 (0.068)	5 (0.34)	10 (0.68)
VP31	U-02T-	1/8" Uni-Lok	0.1	0.3 (8.4)	0.8 (22)	1.1 (31)	0.1 (8.4)	0.2 (0.75)	0.3 (1.1)
	U-04T-	1/4" Uni-Lok	1.6	0.6 (165)	13.0 (362)	18.0 (500)	1.6 (6.2)	3.6 (13.5)	5.1 (19.2)
	M-02N-	1/8 Male NPT	1.0	3.7 (102)	81.0 (225)	11.0 (315)	1.0 (3.7)	2.2 (8.5)	3.2 (12.1)
	M-04N-	1/4 Male NPT	1.0						
	F-02N-	1/8" Female NPT	1.2	4.4 (120)	9.7 (272)	13.0 (370)	1.2 (4.5)	2.7 (10.2)	3.8 (14.2)
	F-04N-	1/4" Female NPT	0.9	3.3 (93)	7.3 (205)	10.0 (285)	0.9 (3.4)	2.0 (7.5)	2.8 (10.4)
VP32	U-06T-	3/8" Uni-Lok	6.4	23.0 (660)	52.0 (1470)	72.0 (2040)	6.4 (24)	14.0 (53)	20.0 (76)
	U-08T-	1/2" Uni-Lok	4.4	16.0 (460)	35.0 (1000)	49.0 (1390)	4.4 (16.5)	9.8 (37)	13.0 (50)
	M-08N-	1/2 Male NPT	2.4	9.0 (252)	19.0 (540)	27.0 (765)	2.4 (9.0)	5.4 (20)	7.6 (28.5)
	F-08N-	1/2" Female NPT	2.7	10.0 (285)	21.0 (600)	30.0 (850)	2.7 (10)	6.0 (22)	8.5 (32)

Cleaning

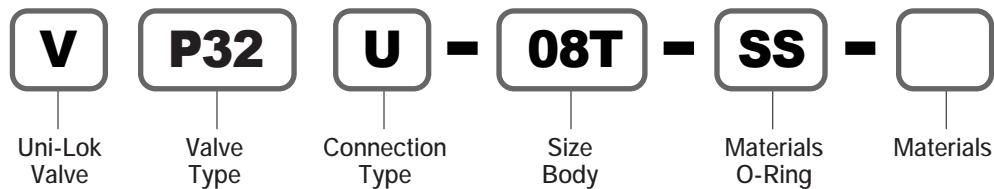
Uni-Lok valves are free from machine oils, loose particles and grease throughout the close cleaning process.

Testing

Every plug valve is 100% factory tested for shutoff at 600 psig (41.3 bar)

How To Order

Uni-Lok VP series Plug valves are ordered by part number as shown below.



Valve Type	
P31	Plug Valve (4.4mm Orifice)
P32	Plug Valve (7.2mm Orifice)

Connection Type	
U	Uni-Lok Tube Fitting
F	Female NPT or ISO7/1(PT)
M	Male NPT or ISO7/1(PT)

Size					
Fractional(Inch) Tube O.D. Designation					
Tube O.D.	inch	1/8	1/4	3/8	1/2
	mm	3.17	6.35	9.52	12.70
Designator		02T	04T	06T	08T

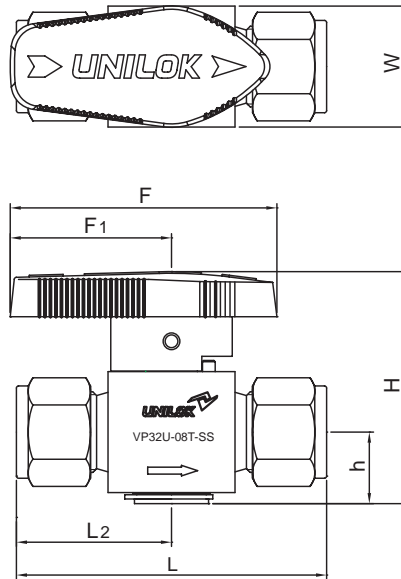
Metric Tube O.D. Designation					
Tube O.D.	mm	6	8	10	12
Designator		M06T	M08T	M10T	M12T

Pipe Size Designation (NPT or ISO7/1(PT))					
Pipe Size		1/2	1/4	3/8	1/2
Designator		02N/R	04N/R	06N/R	08N/R

Body Materials	
SS	316 SS
BS	Brass

O-Ring Materials	
None	PTFE Coated FKM

Ordering Information & Dimensions



Part Number	End Connections		Orifice	Dimensions (mm)						
	Inlet	Outlet		L	L1	h	H	F	F1	W
VP31	U-02T-		4.4	50.6	25.3	11.7	39.2	46.5	29.0	19.0
	U-04T-			55.0	27.5					
	U-M06T-			38.8	19.4					
	M-02N-			48.4	24.2					
	M-04N-			45.2	22.6					
	F-02N-			53.0	26.5					
	F-04N-			51.7	24.2					
	1/4 Male NPT	1/4" Uni-Lok		51.7	24.2					
	1/4 Male NPT	1/4 Female NPT		50.7	24.2					
VP32	U-06T-		7.2	67.6	33.8	16.9	54.4	61.3	38.1	28.5
	U-08T-			73.2	36.6					
	U-M08T-			67.6	33.8					
	U-M10T-			68.0	34.0					
	U-M12T-			75.2	37.6					
	M-08N-			67.0	33.5					
	F-08N-			73.2	36.6					

ISO 7/1 Tapered Threads(PT) are available for all fractional sizes of VP series valves.
 Add "R" as a suffix instead of "N".
 Dimensions are for reference only and are subject to change without prior notice.



CONNECTS THE WORLD SINCE 1984 www.unilok.com

본사 및 제1공장
 인천광역시 남동구 고잔동 725-13번지
 남동공단 152블럭 12롯데 ☎ 405-822
 전화 : 032-822-6600
 팩스 : 032-822-6604

제2공장
 인천광역시 남동구 고잔동 684-7번지
 남동공단 114블럭 8롯데 ☎ 405-818
 전화 : 032-433-6601
 팩스 : 032-441-7600

Headquarters & 1st Factory
 152 Block-12 Lot, Namdong Indus-Park, 725-13,
 Gojan-Dong, Namdong-Gu, Incheon, Korea
 Tel : +82-32-822-6600
 Fax : +82-32-822-6604

2nd Factory
 114 Block-8 Lot, Namdong Indus-Park, 684-7,
 Gojan-Dong, Namdong-Gu, Incheon, Korea
 Tel : +82-32-433-6601
 Fax : +82-32-441-7600