



# HIGH PRESSURE BAR STOCK BALL VALVES

**VB6B Series**

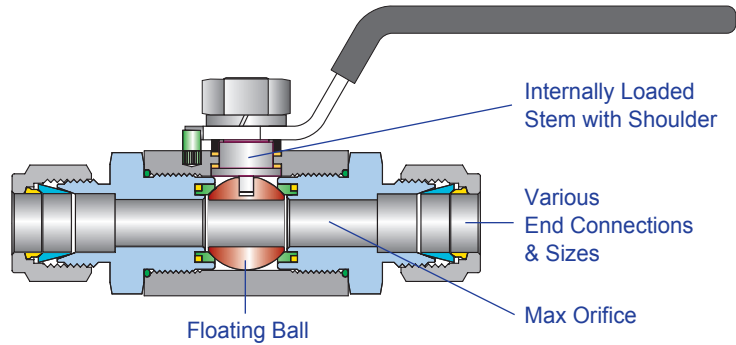
[www.korlokusa.com](http://www.korlokusa.com)



**Kor-Lok**® Kor-Lok USA

### Features

- Pressure rating up to 6000psig (413bar) @21°C(70°F) with standard PTFE seats
- 10000psig (689bar) @21°C(70°F) with optional PEEK seats for CNG application
- Temperature rating from -30°C(-22°F) to 180°C (355°F) with standard PCTFE seats
- Robust body for high pressure application
- Floating ball design ensures leak proof shut-off at high pressure
- Blow-out proof design with internally loaded ball stem with shoulder
- Lever handle with PVC coat allows easy and quick operation with low torque and 1/4 turn to open and close
- Max orifice minimizes the pressure drop Panel mounting is available as optional
- 2 way shut off valves and 3 way switching valves are available



### Materials of Construction

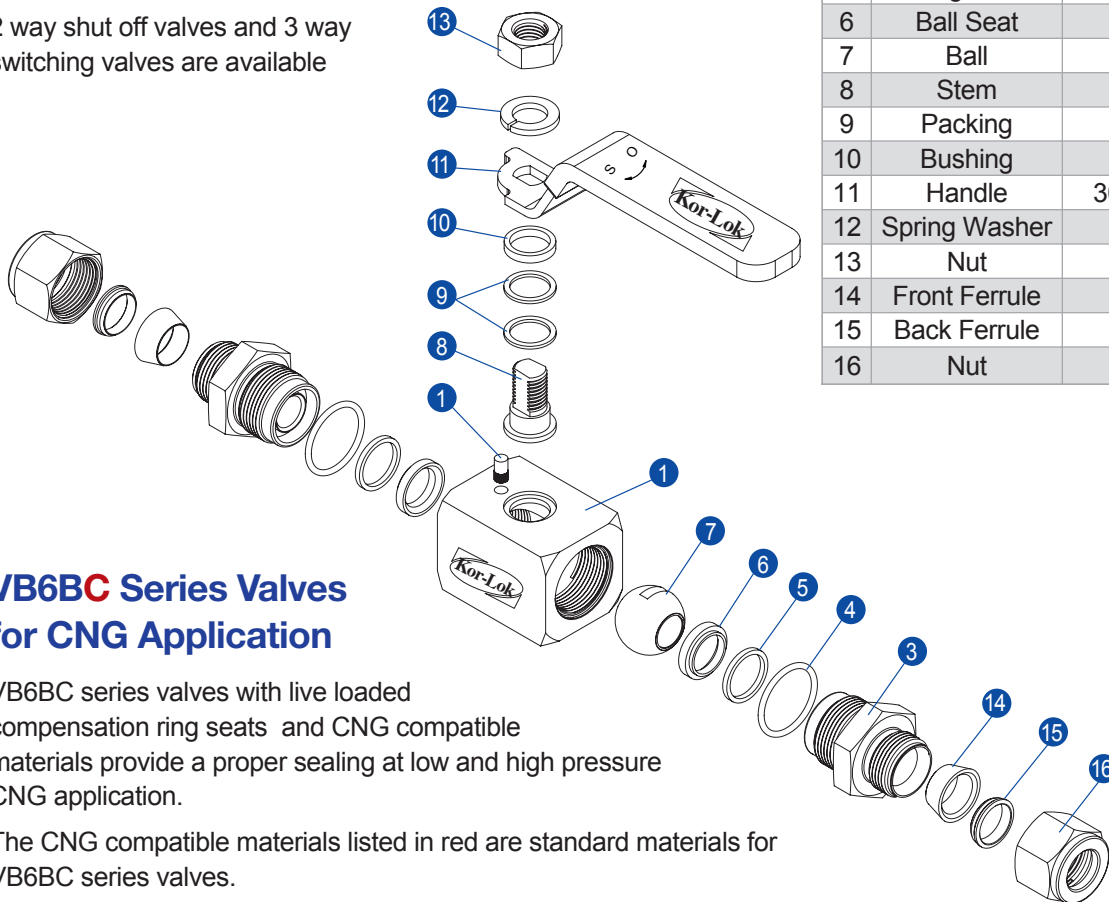
No.	Description	Materials
1	Body	316SS
2	Pin	304SS
3	Connector	316SS
4	O-Ring	Viton
5	Ring Seat	PTFE
6	Ball Seat	PCTFE
7	Ball	316SS
8	Stem	316SS
9	Packing	PTFE
10	Bushing	316SS
11	Handle	304SS+PVC
12	Spring Washer	304SS
13	Nut	304SS
14	Front Ferrule	316SS
15	Back Ferrule	316SS
16	Nut	316SS

### VB6BC Series Valves for CNG Application

- VB6BC series valves with live loaded compensation ring seats and CNG compatible materials provide a proper sealing at low and high pressure CNG application.
- The CNG compatible materials listed in red are standard materials for VB6BC series valves.

⑥ PEEK : Ball Seats ⑤ PCTFE : Ring Seats ④ H-NBR : O-rings

To order, add C next to valve series number.  
 Example : VB6BC2U-12T-SS.



## Application

Internally live loaded ball stem to ensure sealing at low and high pressure CNG application .

PEEK and PCTFE seats are compatible with CNG

VB6B series valves are requiring in a wide range onshore and offshore applications to offer a safe and reliable perform.

## Sour Environment Services

Kor-Lok valves are comply with NACE MR-0175/ISO 115156 for sour oilfield application or NACE MR-0103 for petroleum refining operations.

To order, add-N to the end of part number.

## Testing

Every valve is 100% factory tested with air and nitrogen at 1000psig(69bar) for leakage at the seat and packing. Each test is performed to a maximum allowable leak rate of 0.1scc/min.

Hydrostatic shell test to be performed at 1.5 time of the working pressure is available as optional.

## How To Order

Kor-Lok VB6B series ball valves are ordered by part number as shown as below.

## Cleaning

Kor-Lok valves are free from machine oils, loose particles and grease throughout the close cleaning process.

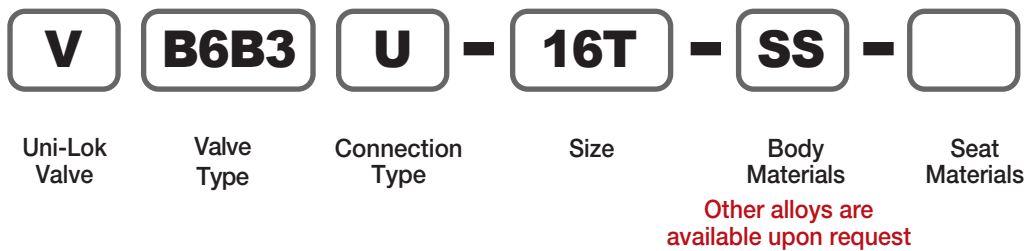
## Important Notification

Kor-Lok ball valves are designed to be operated in a fully open or fully closed position.

The packing adjustment may be required during the valve's service life.

Proper installation, materials compatibility, operation and maintenance of these valves are the responsibility of the user. The total system design must be taken into consideration to ensure optimal performance and safety.

**Example :** The following part number, **VB6B3U-16T-SS** is designated for VB6B series ball valve with both 1" Un-Lok tube fitting, 316SS, PCTFE seat.

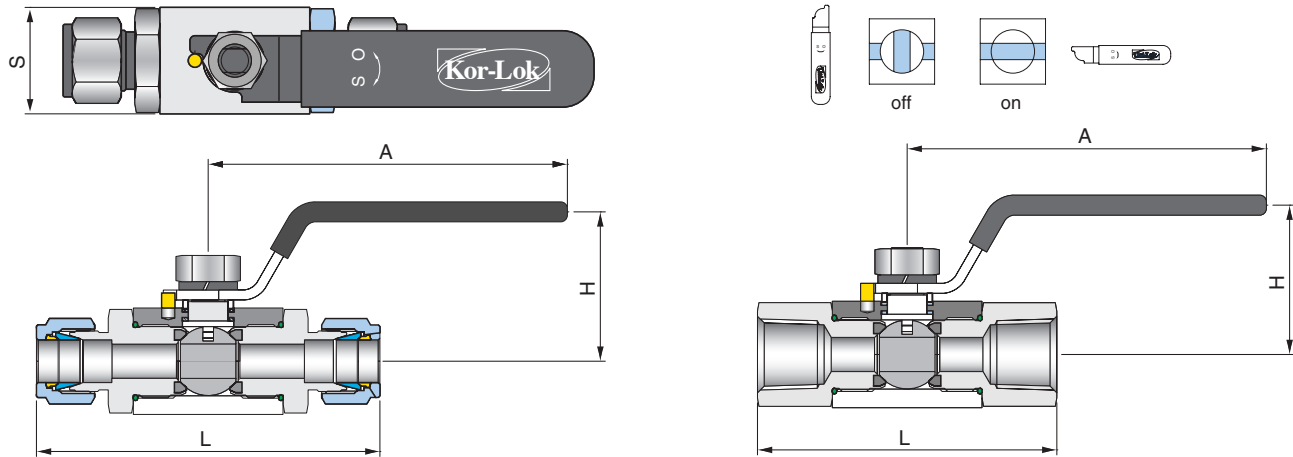


Valve Type	
B6B	2 Way Type
B6BC	2 Way Type, <b>CNG Application</b>
B6BX	3 Way Type
Connection Type	
U	Uni-Lok Tube Fitting
F	Female NPT or ISO7/1(PT)
M	Male NPT or ISO7/1(PT)

Connection Type						
Fractional(Inch) Tube O.D. Designation						
Tube O.D.	inch	1/4	3/8	1/2	3/4	1
	mm	6.35	9.53	12.70	19.05	25.40
Designator		04T	06T	08T	12T	16T
Pipe Size Designation (NPT or ISO7/1-PT)						
Pipe Size		1/4	3/8	1/2	3/4	1
Designator		04N/R	06N/R	08N/R	12N/R	16N/R

Seat Materials	
None	PCTFE
PK	PEEK

## VB6B series (2 Way, Shut-Off Both Kor-Lok Tube Fittings or Both Female or Male Threads)



### Ordering Information & Dimensions

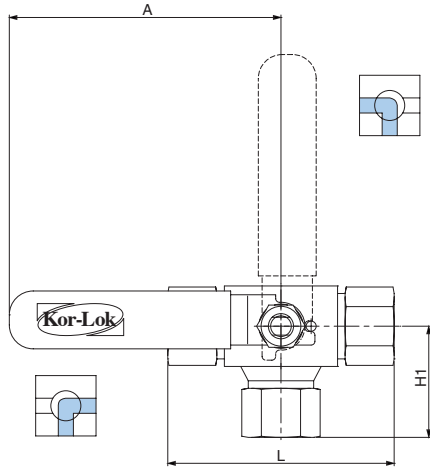
Part Number	End Connection		Orifice	CV	Dimensions (mm)			
	Inlet	Outlet			L	S	H	A
VB6B1	U-04T-	1/4" Kor-Lok	4.8	1.2	92.0	32.0	45.0	108.0
	U-06T-	3/8" Kor-Lok	7.1	3.7	95.0			
	U-08T-	1/2" Kor-Lok	10.0	7.5	103.0			
	F-04N-	1/4" Female NPT			70.0			
	F-06N-	3/8" Female NPT			75.0			
	F-08N-	1/2" Female NPT	90.0					
	M-04N-	1/4" Male NPT	7.1	3.7	85.0			
	M-06N-	3/8" Male NPT	9.7	7.2	85.0			
	M-08N-	1/2" Male NPT	10.0	7.5	85.0			
VB6B2	U-12T-	3/4" Kor-Lok	12.7	10.0	110.6	40.0	55.0	148.0
	F-08N-	1/2" Female NPT			90.0			
	F-12N-	3/4" Female NPT			98.0			
	M-12N-	3/4" Male NPT			105.0			
VB6B3	U-12T-	3/4" Kor-Lok	19.0	30.0	118.6	50.0	60.0	148.0
	U-16T-	1" Kor-Lok			127.5			
	F-12N-	3/4" Female NPT	15.8	19.0	95.0			
	F-16N-	1" Female NPT	19.0	30.0	106.0			
	M-12N-	3/4" Male NPT	15.8	19.0	115.0			
	M-16N-	1" Male NPT	19.0	30.0	125.0			

ISO7/1 Tapered Threads (PT) are available for all fractional sizes of VB6B series valves.  
Add "R" as a suffix instead of "N".

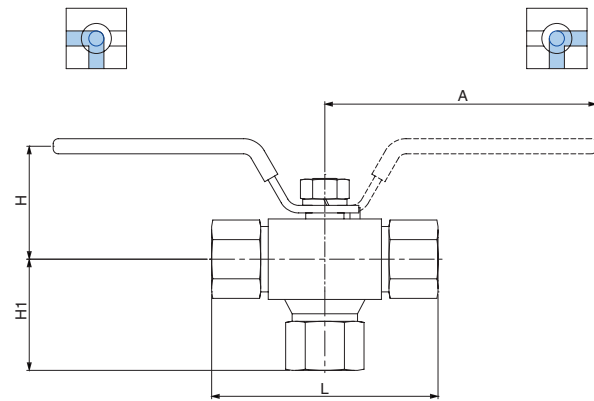
Dimensions are for reference only and are subject to change without prior notice.

# VB6BX series

## (3 Way, Switching Kor-Lok Tube Fittings or Female or Male Threads)



**Side Port Inlet**  
1/4 Turn Actuation



**Bottom Port Inlet**  
1/2 Turn Actuation

### Ordering Information & Dimensions

Part Number	End Connection		Orifice	d Min.	Dimensions (mm)				
	Inlet	Outlet			L	S	H	H1	A
VB6BXB1	U-04T-	1/4" Kor-Lok	10.0	4.8	92.0	32.0	44.9	53.5	108.0
	U-06T-	3/8" Kor-Lok		7.1	95.0			55.0	
	U-08T-	1/2" Kor-Lok		10.0	106.0			57.5	
	F-04N-	1/4" Female NPT			72.0			36.7	
	F-06N-	3/8" Female NPT			75.0			40.2	
	F-08N-	1/2" Female NPT			89.0			44.2	
VB6BXB2	U-12T-	3/4" Kor-Lok	12.7	12.7	115.0	40.0	55.0	65.5	148.0
	F-08N-	1/2" Female NPT		93.0	49.7				
	F-12N-	3/4" Female NPT		102.0	55.2				
VB6BXB3	U-12T-	3/4" Kor-Lok	19.0	15.8	125.0	50.0	60.0	70.0	148.0
	U-16T-	1" Kor-Lok			134.0			76.6	
	F-12N-	3/4" Female NPT		20.0	119.0			56.7	
	F-16N-	1" Female NPT			129.0			60.8	

Female ISO7/1 Tapered Threads (PT) are available for all fractional sizes of VB6FX series valves. Add "R" as a suffix instead of "N".

### Bottom and Side Port Entry Valve Ordering Information

To order side port entry valve, replace **B** with **S**

Examples : VB6**B**XB1U-04T-SS, VB6BXS1U-04T-SS

Dimensions are for reference only and are subject to change without prior notice.

## Pressure - Temperature Ratings

Valve Group	Sealing Materials			Pressure Rating	Temperature Rating
	Seat	Stem Packing	End Seal		
<b>2 Way</b>					
VB6B1	PCTFE	PTFE	PTFE	6000psig(413bar)	-22°F ~266°F (-30°C~130°C)
	PEEK			10000psig(413bar)	-40°F ~446°F (-40°C~230°C)
VB6B2 VB6B3	PCTFE	PTFE	PTFE	5000psig(344bar)	-22°F ~320°F (-30°C~160°C)
	PEEK			10000psig(413bar)	-40°F ~410°F (-40°C~210°C)
<b>3 Way</b>					
VB6BX1	PCTFE	PTFE	Viton	4000psig(275bar)	-22°F ~266°F (-30°C~130°C)
	PEEK			6000psig(413bar)	-40°F ~446°F (-40°C~230°C)
VB6BX2 VB6BX3	PCTFE	PTFE	Viton	3000psig(206bar)	-22°F ~320°F (-30°C~160°C)
	PEEK			4000psig(275bar)	-40°F ~410°F (-40°C~210°C)

## Valve Actuation Torque

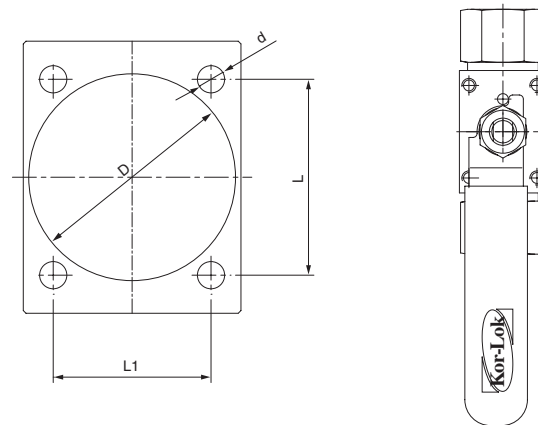
Valve Group	Pressure (psig)		
	0	5000	6000
<b>2 Way</b>			
Torque (Nm)			
VB6B1	3.92	-	6.37
VB6B2	7.35	10.30	-
VB6B3	12.26	19.61	-
	0	3000	4000
<b>3 Way</b>			
Torque (Nm)			
VB6BX1	3.92	-	4.90
VB6BX2	7.35	7.85	-

## Panel Mounting

Screw hole panel mounting is available with four screw holes on the top of VB6B series valves, M4 x 6mm depth.

To order, add **-M** to end of part number.

Disassemble the handle before panel mounting.



Valve Group	Dimensions			mm
	L	L1	d	D
VB6B1	34	25	4	30
VB6B2	36	29	5	38
VB6B3	40	35	6	38

# Kor-Lok Line up

## Instrumentation

### Fittings



- Tube Fittings
- PTFE Fittings
- Hose & Push-On Connectors



- Precision Pipe Fittings
- Fusible Connectors
- Dielectric Fittings



### Valves



- VB1 series
- VB2 series
- VB3 series
- VB6B series
- VB6F series
- VB6T series
- VP series



- Precision & Clean Ball Valves
- Swing-Out Ball Valves
- Instrumentation Ball Valves
- High Pressure Bar Stock Ball Valves
- High Pressure Forged Ball Valves
- Trunnion Ball Valves
- Plug Valves



- VN5 series
- VN6 series
- VU6 series
- VMT series

- Integral Bonnet Forged Needle Valves
- High Pressure Bar Stock Needle Valves
- Union Bonnet Valves
- Metering Valves

- VM series
- VG series
- VL series

- Instrumentation Manifolds Valves
- Gauge & Gauge Root Valves
- Bleed Valves

- VD series

- Double Block and Bleed Valves

- VC series
- VR series
- VE series

- General & High Pressure Relief Valves
- Low & High Pressure Relief Valves
- Industrial Excess Flow Valves

- VF series
- VPR series
- VBR series

- T & In-Line Filters
- Pressure Reducing Valves
- Back Pressure Regulators

### Others

- Seamless & Welded Tubing
- Condensate Pots

## UHP(Ultra High Purity)

### Fittings



- Weld & Metal Face Seal Fittings
- Pipe & Tube Fittings
- Flanges



- Cylinder Connectors

### Valves



- VCD series
- VCB series
- VCC series



- Diaphragm Valves
- Bellows Valves
- Welded Check Valves



**CONNECTS THE WORLD SINCE 1984  
WITH THE SAME ATTITUDE  
OF THE TIME OF BEGINNING**



**Kor-Lok® Kor-Lok USA, LLC**

---

15060 West Dr., Suite #100  
Houston, Texas 77053  
Office Telephone # (281) 437-8400  
Fax # (281) 437-8437  
Website: [www.korlokusa.com](http://www.korlokusa.com)